

Guide Specifications for Awning Mounting Board Installation

Queen's Landing Condominium
500 Queen's Landing Drive
Chester, Maryland 21619

May 4, 2023

SCOPE AND GUIDE SPECIFICATIONS

This document addresses the following conditions:

1. Installation of new mounting boards for new and existing awning locations at direct weather exposure locations. See Image #1 as an example. Follow details on TDL Drawing SK-2.
2. Installation of new mounting boards at existing awning locations without boards, at direct weather exposure locations. See Image #2 as an example. Follow details on TDL Drawing SK-2.
3. Sealing (caulk) the existing mounting boards and awning bracket. Seal (caulk) the top and side edges of the mounting board and/or awning brackets (when brackets are directly mounted to the building wall). Follow details on TDL Drawing SK-3 and 4
4. Installation of new mounting boards at locations without direct weather exposure. See Image #3 as an example. Follow details on TDL Drawing SK-2, 3 and 4. Through-wall flashing is optional.

The following conditions are not part of this document:

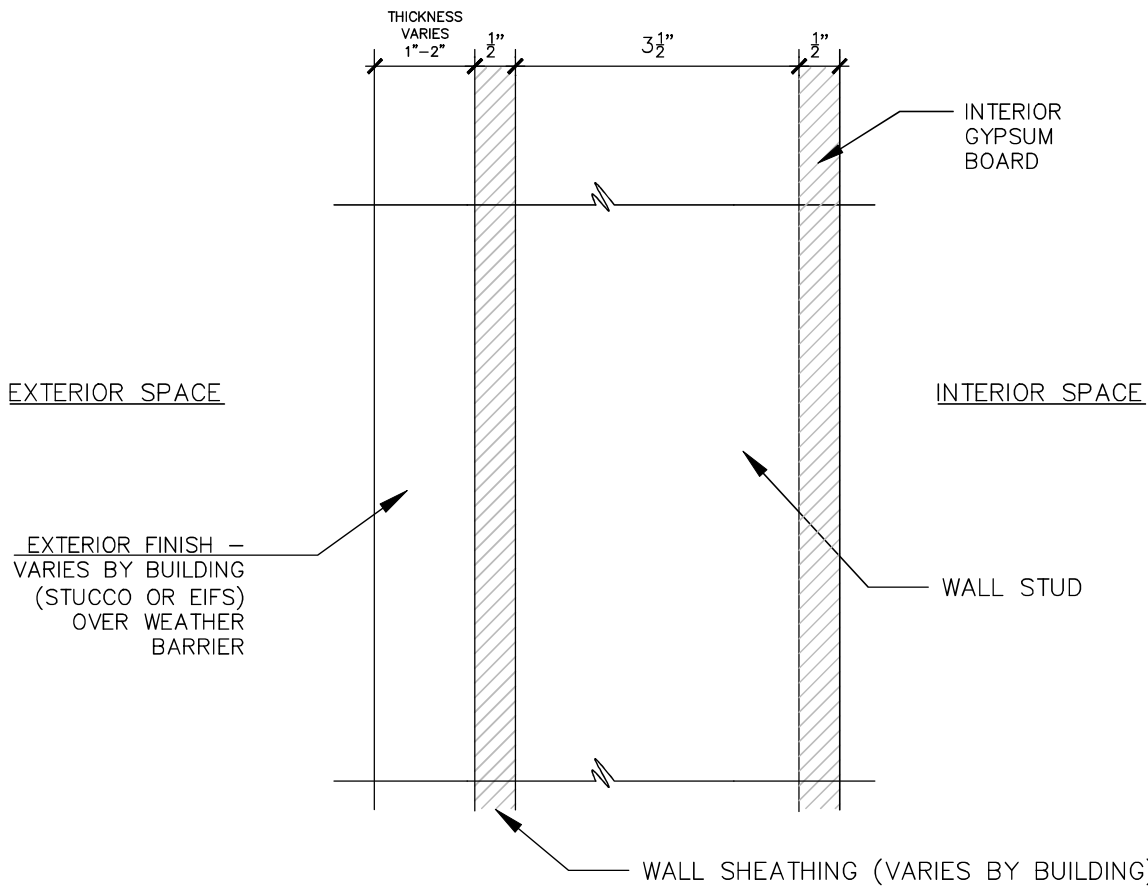
- A. Awnings which are or will be attached to non-building wall locations such as deck or balcony framing.
- B. Awning manufacturer installation instructions and requirements.

DRAWINGS

SK-1	Building Wall Section – Existing Details
SK-2	Awning Mounting Board Detail at Exposed Locations
SK-3	Elevation View of Existing Mounting Board
SK-4	Section A-A

OTHER DOCUMENTS

TDL Images #1 through #3.



BUILDING WALL SECTION - EXISTING DETAILS



301 N. Fairfax Street, Suite 108
 Alexandria, VA 22314
 OFFICE 703.548.3403 FAX 703.548.3715

THOMAS DOWNEY, LTD.
 CONSULTING ENGINEERS

Queen's Landing Condominium
 500 Queen's Landing Drive
 Chester, Maryland 21619

Project Name and Address

Guide Specification for
 Awning Mounting Board
 Installation

500 Queen's Landing Drive
 Chester, MD 21619

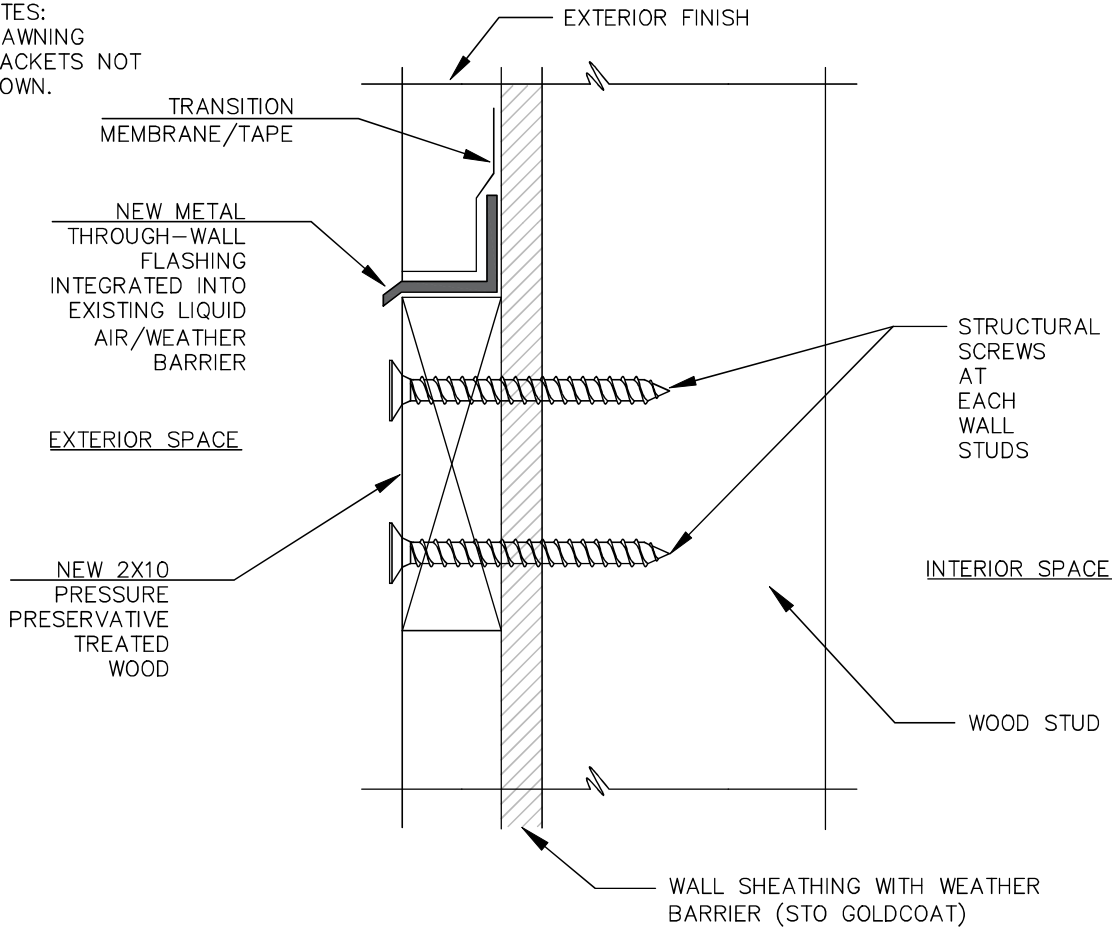
Project **21-019**

Date **05.03.23**

Scale **N.T.S**

Sheet **SK-1**

NOTES:
1. AWNING
BRACKETS NOT
SHOWN.



AWNING MOUNTING BOARD DETAIL AT EXPOSED LOCATIONS

T·D·L

301 N. Fairfax Street, Suite 108
Alexandria, VA 22314
OFFICE 703.548.3403 FAX 703.548.3715

THOMAS DOWNEY, LTD.
CONSULTING ENGINEERS

Queen's Landing Condominium
500 Queen's Landing Drive
Chester, Maryland 21619

Project Name and Address

Guide Specification for
Awning Mounting Board
Installation

500 Queen's Landing Drive
Chester, MD 21619

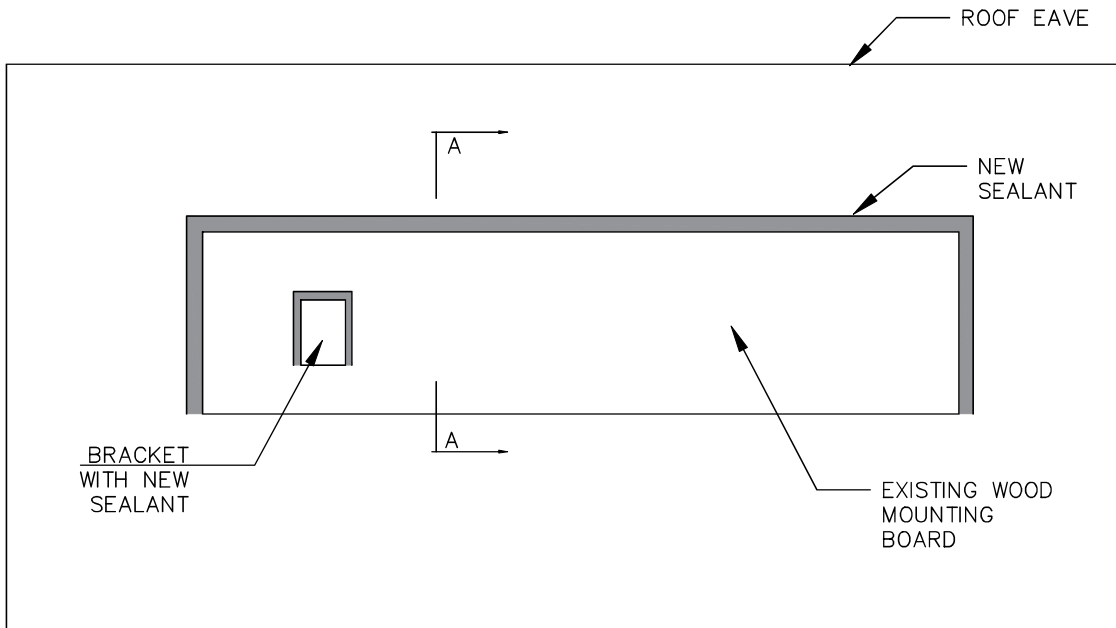
Project **21-019**

Date **05.03.23**

Scale **N.T.S**

Sheet **SK-2**

NOTES:
1. AWNING NOT SHOWN.



ELEVATION VIEW OF EXISTING MOUNTING BOARD

T·D·L

301 N. Fairfax Street, Suite 108
Alexandria, VA 22314
OFFICE 703.548.3403 FAX 703.548.3715

THOMAS DOWNEY, LTD.
CONSULTING ENGINEERS

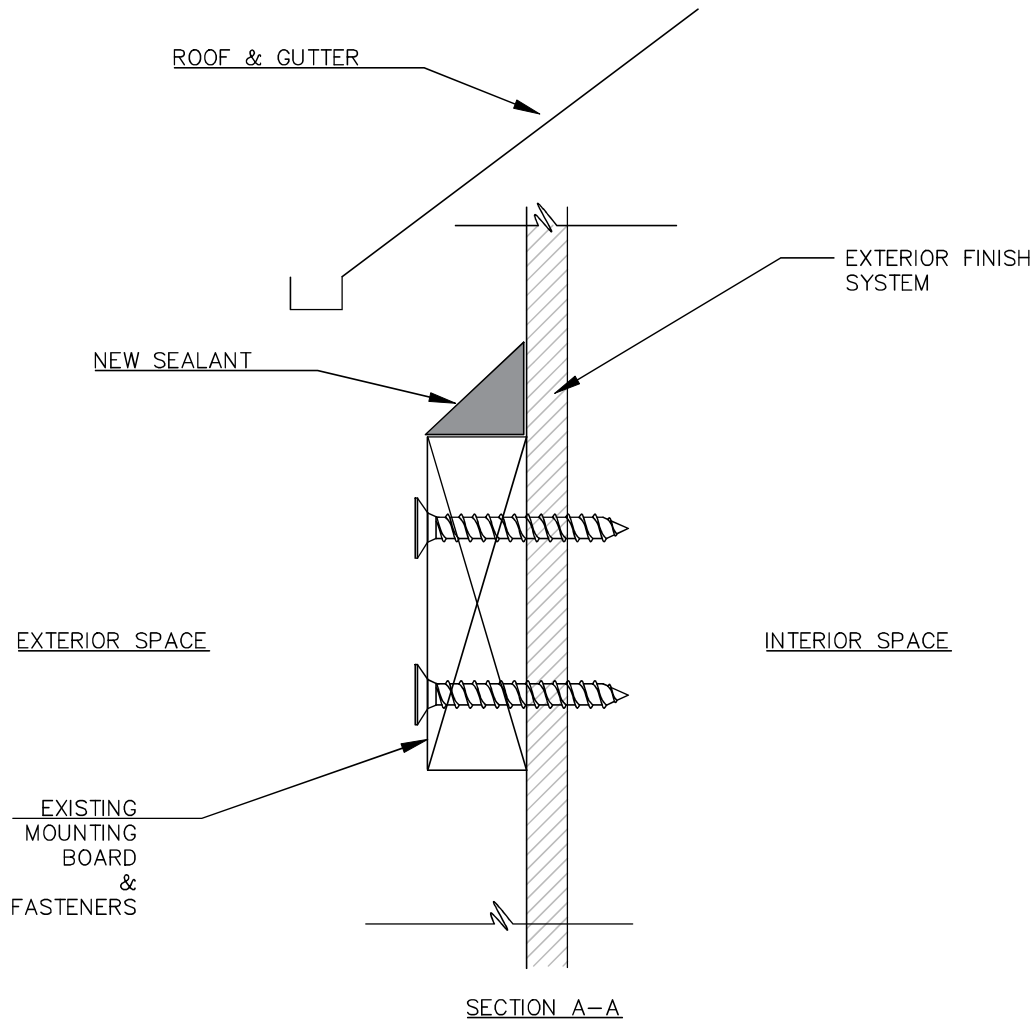
Queen's Landing Condominium
500 Queen's Landing Drive
Chester, Maryland 21619

Project Name and Address

Guide Specification for
Awning Mounting Board
Installation

500 Queen's Landing Drive
Chester, MD 21619

Project	21-019
Date	05.03.23
Scale	N.T.S
Sheet	SK-3



301 N. Fairfax Street, Suite 108
 Alexandria, VA 22314
 OFFICE 703.548.3403 FAX 703.548.3715

THOMAS DOWNEY, LTD.
 CONSULTING ENGINEERS

Queen's Landing Condominium
 500 Queen's Landing Drive
 Chester, Maryland 21619

Project Name and Address

Guide Specification for
 Awning Mounting Board
 Installation

500 Queen's Landing Drive
 Chester, MD 21619

Project **21-019**

Date **05.03.23**

Scale **N.T.S**

Sheet **SK-4**

TDL IMAGES



Image #1



Image #2



Image #3